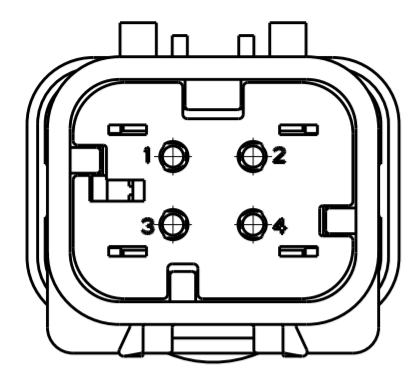
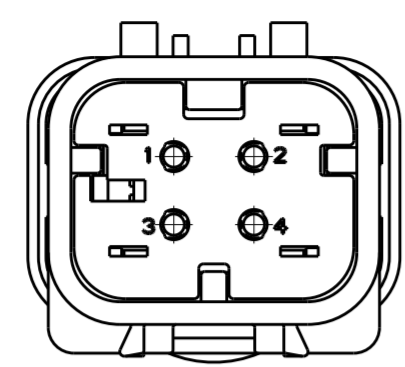


THIS DRAWING IS UNPUBLISHED
RELEASED FOR PUBLICATION
COPYRIGHT 20 BY - ALL RIGHTS RESERVED.

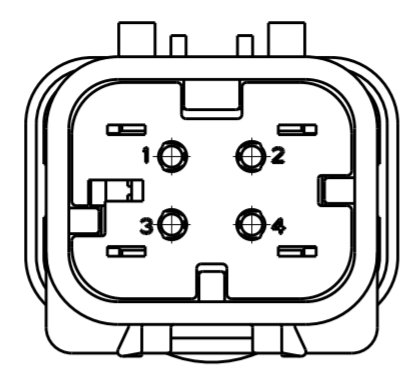
REVISIONS				
P	LTR	DESCRIPTION	DATE	APVD
	D	REVISED PER ECO-13-019168	05DEC2013	DR RB



776488-2
SCALE 2:1

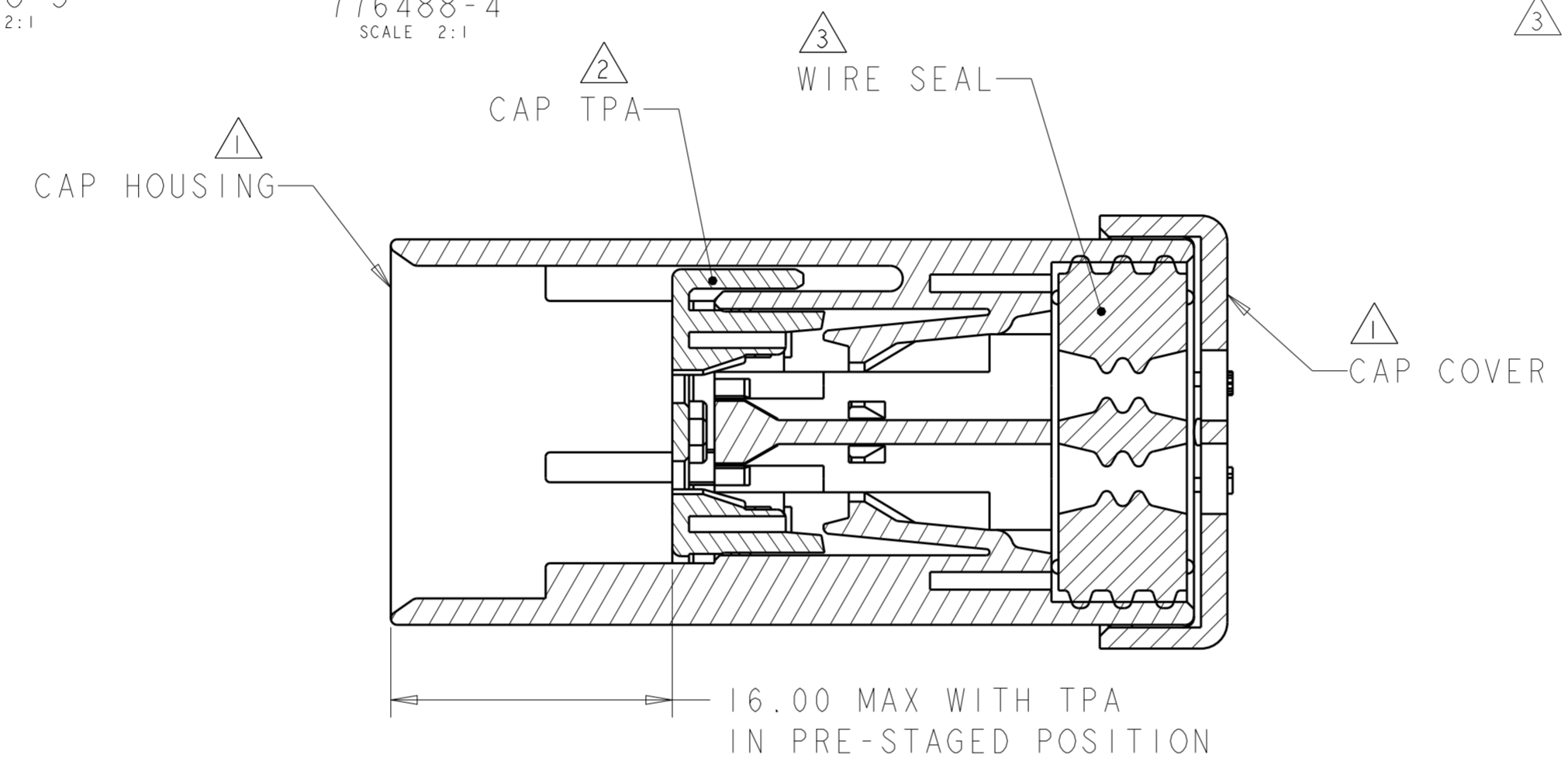


776488-3
SCALE 2:1

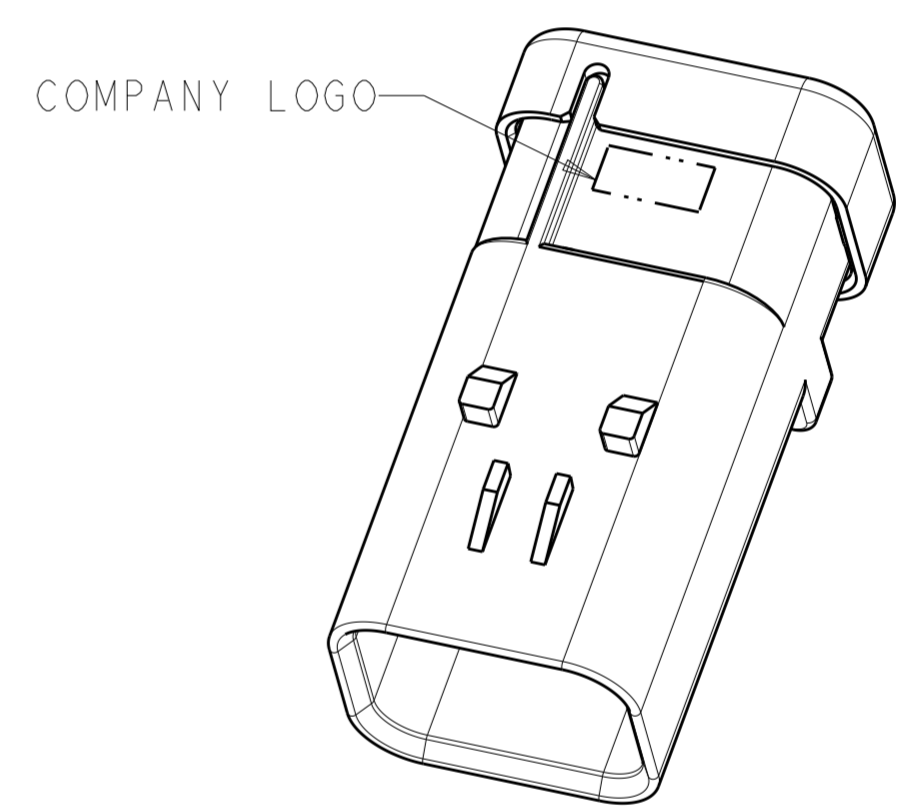


776488-4
SCALE 2:1

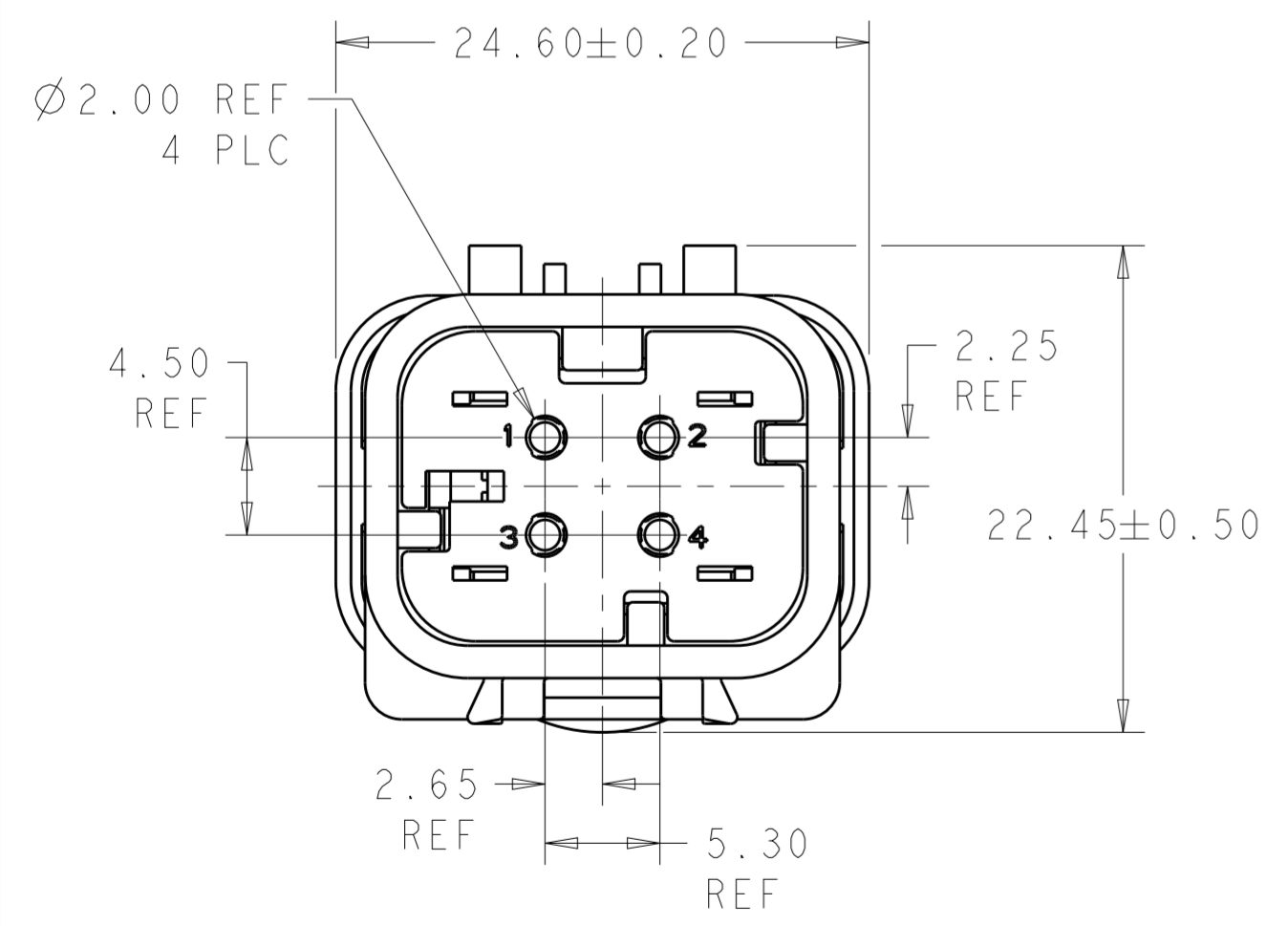
- ① MATERIAL: 15% GLASS FILLED THERMOPLASTIC
COLOR: BLACK
- ② MATERIAL: 15% GLASS FILLED THERMOPLASTIC
COLOR: (SEE TABLE)
- ③ MATERIAL: SILICONE
COLOR: GREEN



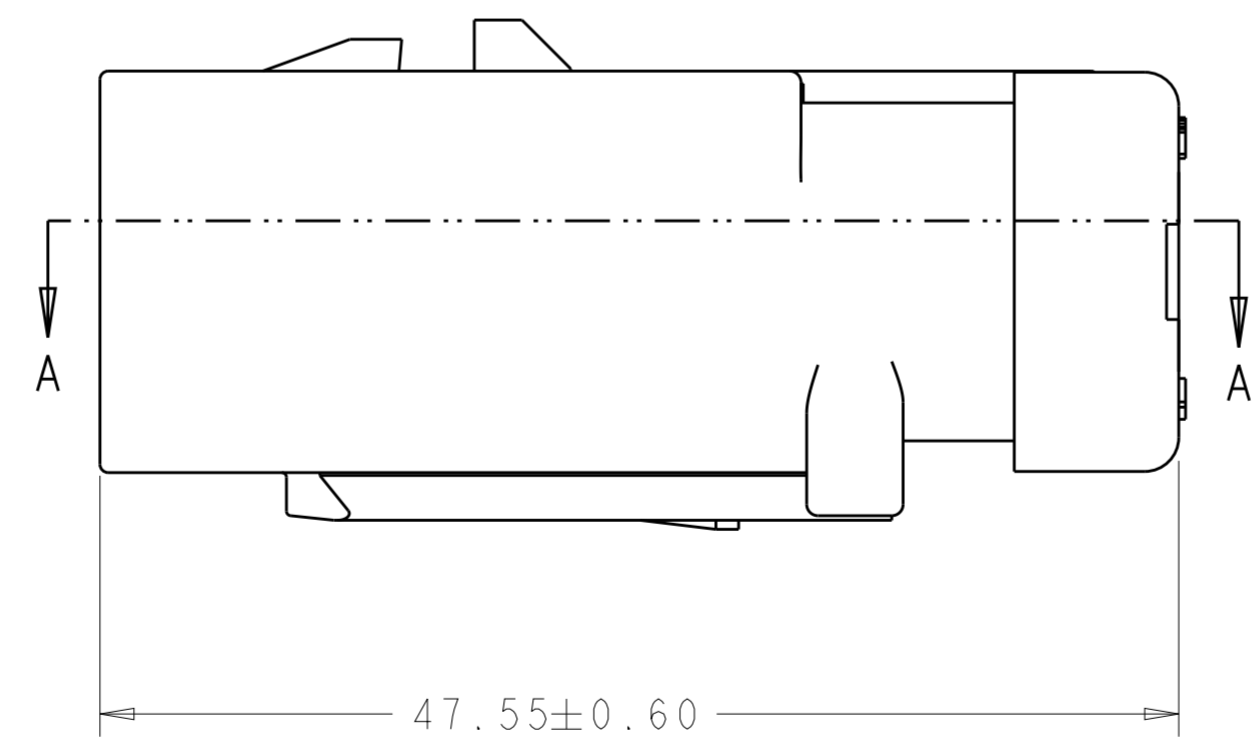
SECTION A-A



SCALE 2:1



776488-1 SHOWN



GREEN	776488-4
YELLOW	776488-3
GRAY	776488-2
RED	776488-1
TPA COLOR	PART NUMBER

THIS DRAWING IS A CONTROLLED DOCUMENT.		DWN W. HOELSCHER 16DEC02	STE TE Connectivity	
DIMENSIONS: mm		CHK B. SIMPSON 18DEC02		
TOLERANCES UNLESS OTHERWISE SPECIFIED:		APVD D. KLEIN 18DEC02	NAME CAP ASSEMBLY, 4 POSITION, DUAL ROW, AMPSEAL 16	
0 PLC ±		PRODUCT SPEC 108-2184	SIZE A200779	
1 PLC ±		APPLICATION SPEC 114-13065	CAGE CODE C-776488	
2 PLC ±		WEIGHT 14	DRAWING NO G-776488	
3 PLC ±		Customer Drawing	RESTRICTED TO -	
4 PLC ±			SCALE 3:1 SHEET 1 OF 1 REV D	
ANGLES ±				
FINISH -				